

CBS - 880

Stainless Steel Continuous BAND SEALER

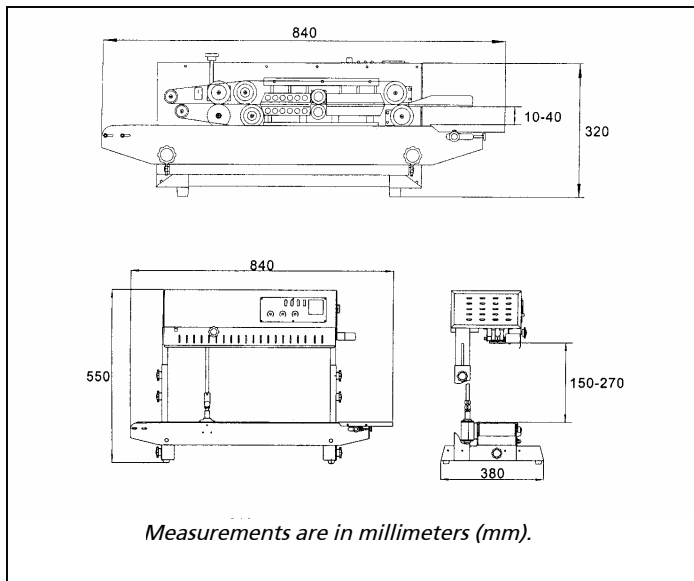


Horizontal



Vertical

CBS-880 is suitable for sealing all types of plastic materials and bags. This sealer can also be used in a wide array of fields such as: the food, medical, and cosmetics industries. It is one of the finest band sealing machines at an economical price.



STANDARD FEATURES:

- Durable stainless steel construction
- Solid state temperature controller that maintains the seal bars at a proper temperature for consistent seal quality
- Fully adjustable conveyor (the conveyor height and depth in relation to seal bars can be adjusted)
- Embossing attachment allows for printing on the seal line without ink (clear)
- Unit feeds from Right to Left
- Can be easily converted to Vertical configuration using an optional converting kit. (See above picture on Right)
- *Spare Kit includes: PC board, Teflon belt, wheel belt, tools, and type set.*

SPECIFICATIONS:

Power Supply	110V/60Hz	Conveyor Size	38" x 7"
Motor Power (watts)	50	Max. Conveyor Load	6.6 lbs.
Sealing Speed	0-472 inches/min.	Dimensions (L x W x H)	33" x 17" x 13"
Seal Width	8 mm	Character Size	PT 10.5
Weight	66 lbs	Embossing	1-line embossing
Temperature Range	0-300°C		3 sections with 15 characters per section