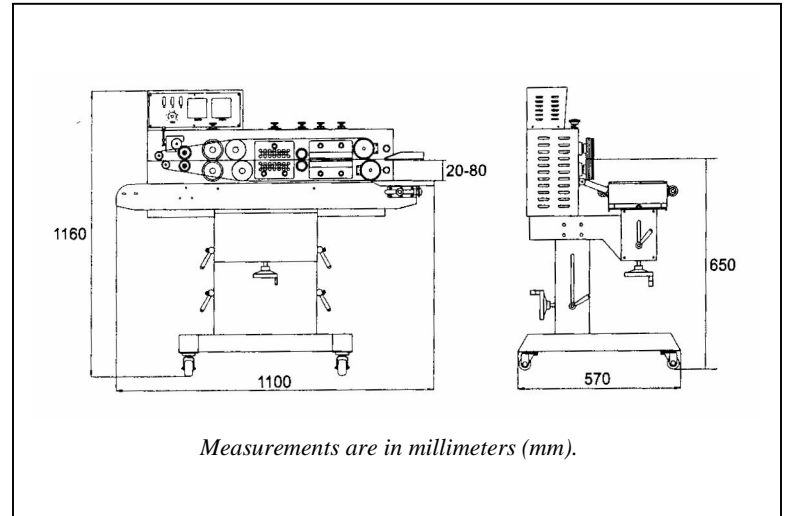


FRM-1120C, FRM-1120W, FRM-1100C

Free-Standing Solid Ink Coding Continuous BAND SEALER



*Pictured unit is powder-coated.
Actual unit is stainless steel.*



This sealer is suitable for sealing all types of plastic materials and bags. This sealer can also be used in a wide array of fields such as: the food, medical, and cosmetics industries. It is one of the finest band sealing machines at an economical price.

STANDARD FEATURES:

- Durable stainless steel construction
- Tilting seal head, which allows the machine to tilt up to 30 degrees
- Suitable for any product including liquids
- Solid state temperature controller that maintains the seal bars at a proper temperature for consistent seal quality
- Fully adjustable conveyor (both the conveyor height and depth in relation to seal bars can be adjusted)
- Dry ink coding allows for printing on the seal line
- Unit feeds from Right to Left
- Spare Kit includes: PC board, Teflon belt, wheel belt, carbon brush, element, & typeset.

SPECIFICATIONS:

Power Supply	110V/60Hz	Conveyor Size	43" x 8"
Motor Power (watts)	100w	Max. Conveyor Load	16.5lbs.
Sealing Speed	0-394 inches/min.	Dimensions (L x W x H)	43" x 24" x 41"
Seal Width	8mm	Character Size	R-Type PT 10.5
Weight	187 lbs.	Printing Lines	Max. 3 lines
Temperature Range	0-300°C		20 characters/line
Heat Sealing Power (w)	300 x 2	Printing Heating Power (w)	40 x 2

