

# FRM - 810II

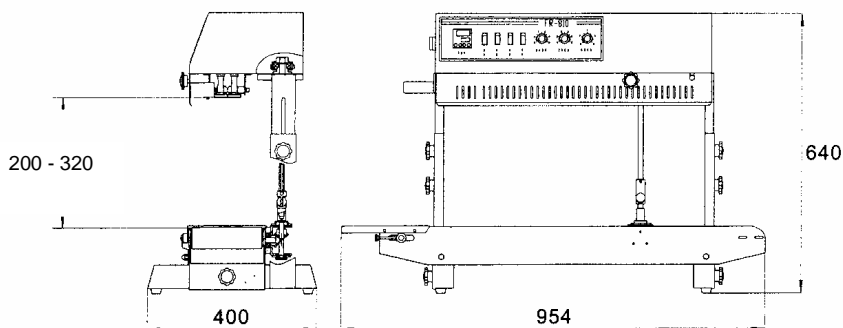
## Stainless Steel Continuous VERTICAL BAND SEALER



FR-770 is suitable for sealing all types of plastic materials and bags. This sealer can also be used in a wide array of fields such as: the food, medical, and cosmetics industries. It is one of the finest band sealing machines at an economical price.

### STANDARD FEATURES:

- Durable stainless steel construction
- Solid state temperature controller that maintains the seal bars at a proper temperature for consistent seal quality
- Fully adjustable conveyor (the conveyor height and depth in relation to seal bars can be adjusted)
- Embossing attachment allows for date and lot coding
- Unit feeds from left to right
- Horizontal configuration is available in model HL-M810
- Spare Kit includes: PC board, Teflon belt, wheel belt, tools, and type set.



Measurements are in millimeters (mm).

### SPECIFICATIONS:

Power Supply	110V/60Hz	Temperature Range	0-300°C
Motor Power (w)	50	Conveyor Size	37" x 7"
Heat Sealing Power (w)	300 x 2	Max. Conveyor Load	≤6.6 lbs.
Sealing Speed	0-472 inches/min.	Dimensions (L x W x H)	37" x 16" x 25"
Seal Width	10 mm	Weight	110 lbs.
Character Size	R-Type Pt. 10.5	Printing Lines	Max 3 lines 20 characters
		Printing Heating Power (w)	40 x 2