

FR-770II

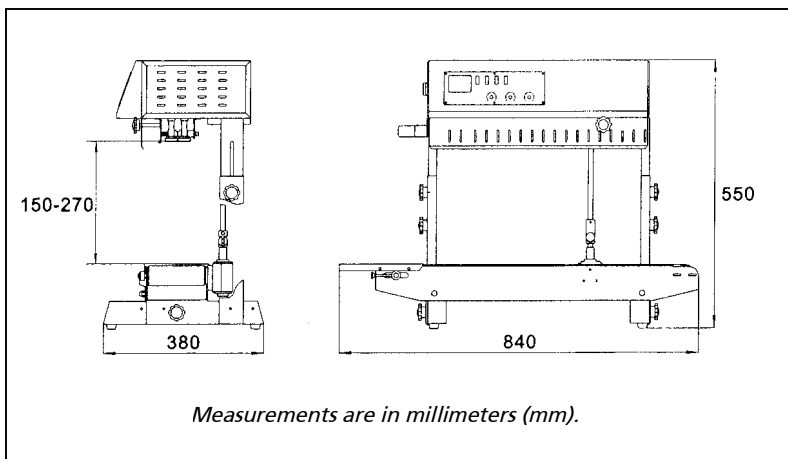
Vertical Stainless Steel Continuous BAND SEALER



FR-770II is suitable for sealing all types of plastic materials and bags. This sealer can also be used in a wide array of fields such as: the food, medical, and cosmetics industries. It is one of the finest band sealing machines at an economical price.

STANDARD FEATURES:

- Durable stainless steel construction
- Solid state temperature controller that maintains the seal bars at a proper temperature for consistent seal quality
- Fully adjustable conveyor (the conveyor height and depth in relation to seal bars can be adjusted)
- Embossing attachment allows for printing on the seal line without ink (clear)
- Unit feeds from Left to Right
- Horizontal configuration is available in model FR-770
- *Spare Kit includes: PC board, Teflon belt, wheel belt, tools, and type set.*



SPECIFICATIONS:

Power Supply	110V/60Hz	Temperature Range	0 - 300°C
Motor Power (w)	50	Conveyor Size	33" x 7"
Heat Sealing Power	300 x 2	Max. Conveyor Load	≤ 6.6 lbs.
Sealing Speed	0-472 inches/min.	Dimensions (L x W x H)	33" x 15" x 22"
Seal Width	8 mm	Weight	81 lbs.
Embossing	1 line embossing 3 sections 15 character per		