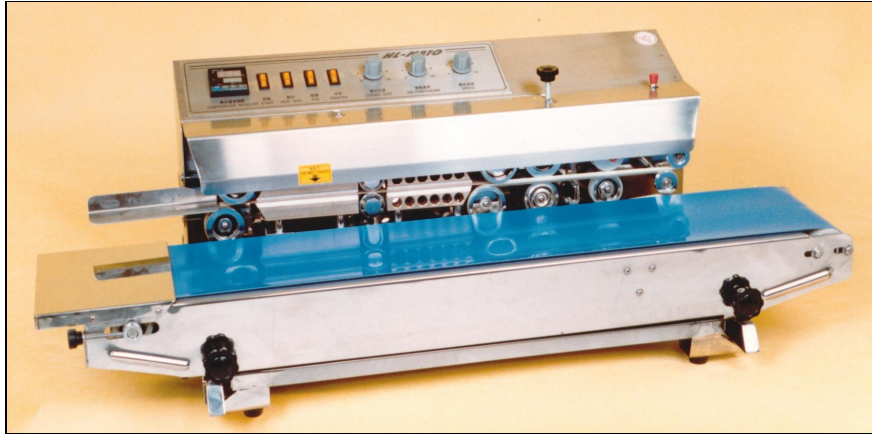
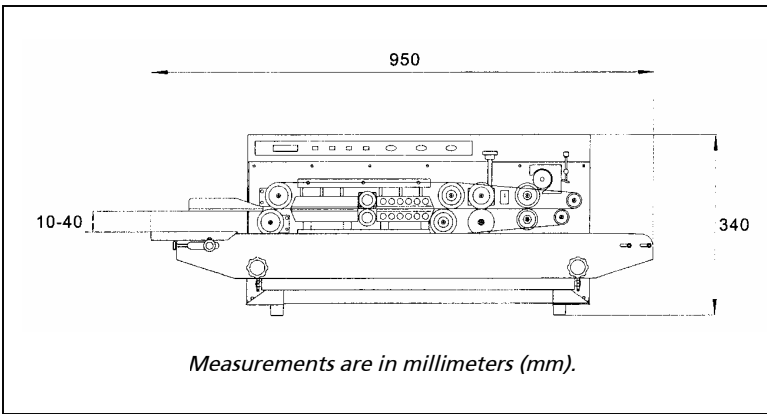


# HL-M810 FRM-810

## Dry-Ink Coding BAND SEALER




**HL-M810/FRM-810** is suitable for sealing all types of plastic materials and bags. This sealer can also be used in a wide array of fields such as: the food, medical, and cosmetics industries. It is one of the finest band sealing machines at an economical price.



### STANDARD FEATURES:

- Durable stainless steel construction
- Solid state temperature controller that maintains the seal bars at a proper temperature for consistent seal quality
- Fully adjustable conveyor (the conveyor height and depth in relation to seal bars can be adjusted)
- Dry ink coding allows for printing on the seal line
- Unit feeds from Left to Right
- *Spare Kit includes: PC board, Teflon belt, wheel belt, fuse, motor brush, heating element, silica gel ring, silicone pin, tweezers, and type set.*

### SPECIFICATIONS:

Power Supply	110V/60Hz	Conveyor Size (in.)	37" x 6"
Motor Power (watts)	50w	Max. Conveyor Load	6.6 lbs.
Sealing Speed	0-472 inches/min.	Dimensions (L x W x H)	37" x 16" x 17"
Seal Width	8mm	Character Size	R-Type, PT 10.5
Weight	99 lbs.	Printing Heating Power (w)	40 x 2
Temperature Range	0-300°C	Printing	 Maximum of 3 lines 20 characters/line
Sealing Power (w)	300 x 2		